

TM TOOLMASTER

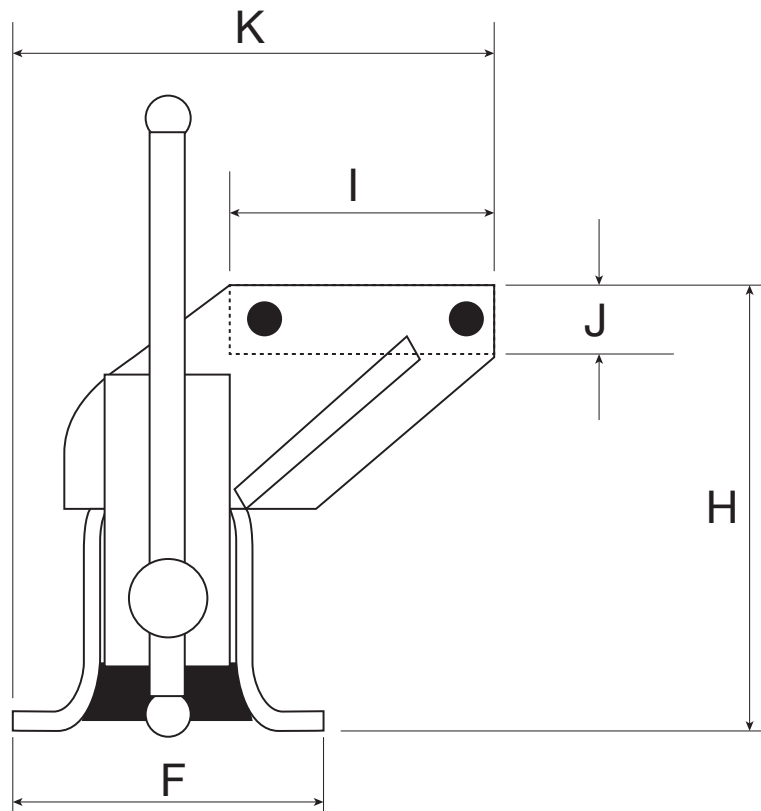
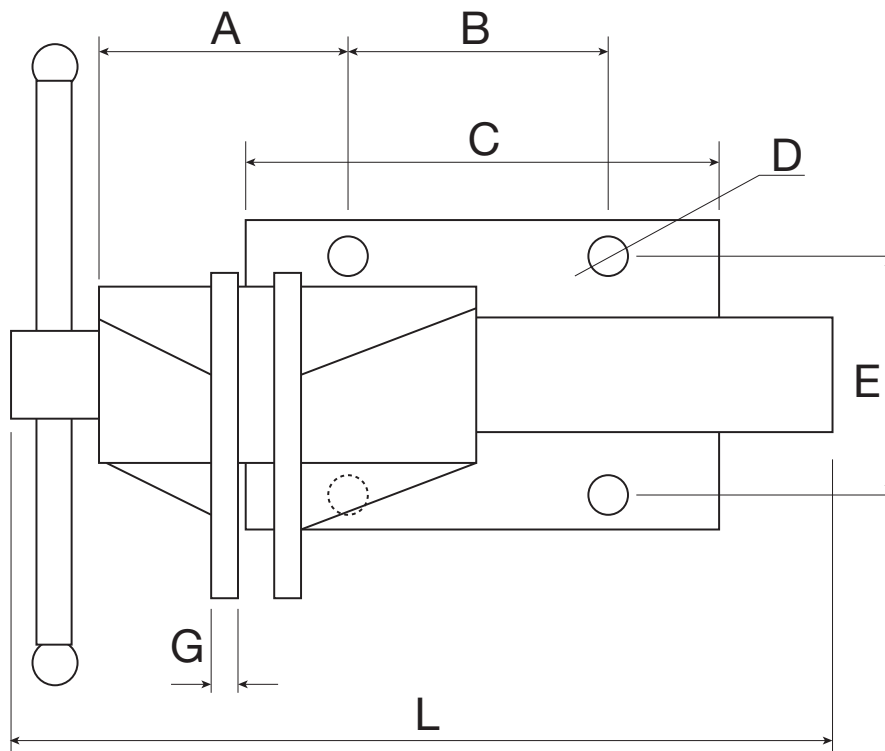


DIMENSIONS

OFFSET BENCH VICES OSV - SERIES

Order Code: (V0924, V0925, V0926, V0928)

OSV- SERIES Dimensions



	A	B	C	D	E	F	G	H	I	J	K	L	Jaw Opening
OSV-100	83.3	50	80	Ø10.5	95	117	9.4	135	100	19.05	181.5	319	127
OSV-125	89.5	79	100	Ø10.5	127	148	12	160.4	125	24	231.1	369	150
OSV-150	112.5	97	150	Ø13	148	183	12	194.5	150	24	275.4	470.5	178
OSV-200	140.8	149	199	Ø14	175	210	15.9	236	203.7	31.75	354	606	228